

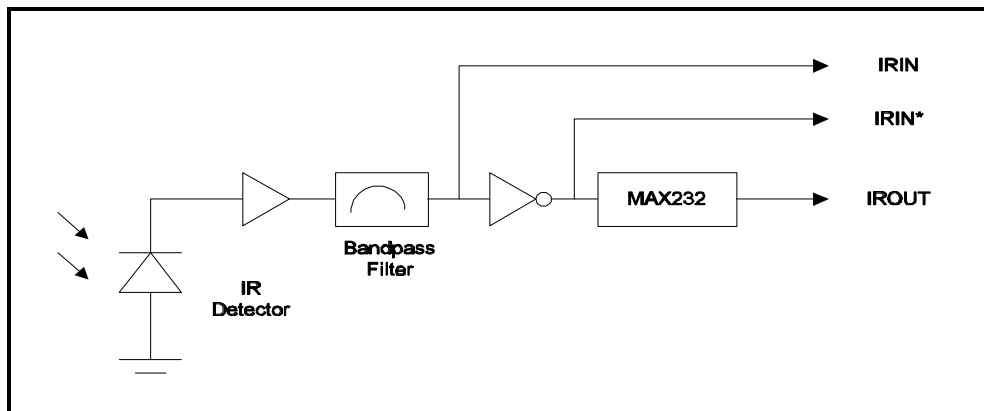
SP1001 INFRARED RECEIVER MODULE

DESCRIPTION

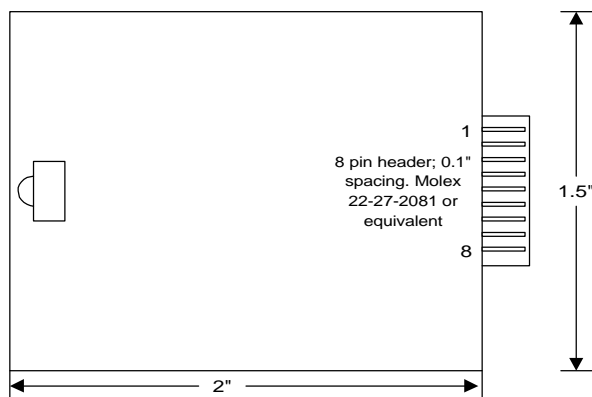
The Innotech Systems SP1001 Infrared Receiver Module detects IR signals and converts the signal to RS232 for use with computer systems. The SP1001 is compatible with the Innotech Systems ASCII encoding format available on the ISI103B

Customizable Handheld Remote Control and the ISI 203B Customizable II Handheld Remote Control. For a description of the ASCII coding format refer to ISI-103-B IR Encoding Description.”

Block Diagram



Outline Drawing



Description of Pin Functions

Pin	Function
1	NC
2	GND
3	+5 Volts ¹
4	IRIN
5	IRIN*
6	IROUT
7	+12 volts ¹
8	NC

Note 1. The module is designed for operation from a single +5 volt supply. Optionally, the module may be ordered with an internal +5 volt regulator to permit operation from a +12 volt Supply.